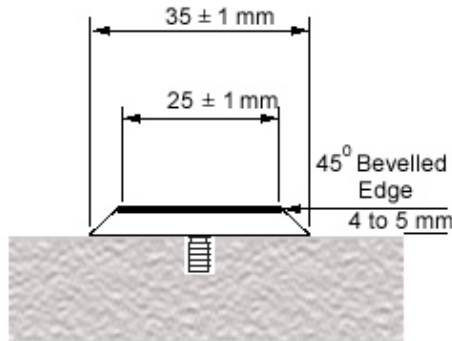




Technical Data Sheet
NERO Stainless Steel Tactile

PRODUCT DESCRIPTION
Material
Finish

Tactile Ground Surface Indicator
316 Marine Grade Stainless Steel
Mill Finish



Our Nero range is also made from solid stainless steel and feature a carborundum insert, which is chemically bonded with the Tactile.

The Nero range comes in two (2) styles, flat backed and studded, and our professional team can advise you on what will suit your project best.

Slip Resistance Testing

See Australian Standards Hand Book 197: 1999 (HB 197), “An Introductory Guide to Slip Resistance of Pedestrian Materials” in order to determine a classification of a slip resistance rating. This document outlines the minimum ratings of location and situation of a pedestrian surface.

TEST	AS/NZS 4586:2004 Appendix A
TYPE	Wet Pendulum Test
RATING	Four S slider Mean BPN = 52 Class W
REPORT	CSIRO report No 3730s

TEST	AS/NZS 4586:2004 Appendix D
TYPE	OIL-WET Ramp
RATING	Mean overall acceptance angle = 27.1° Class R12
REPORT	CSIRO report No 3730s

Luminance Testing

Test results for luminance contrast on tile substrate.

TEST	AS/NZS 1428,4:2002
TYPE	Design for access & Mobility – Tactile indicator
RATING	Mean Luminance Dry = 24.64 Wet= 22.65
REPORT	CSIRO report No 3730s

Compliance for Luminance contrast varies with tactile and the substrate onto which you wish to have them installed. Certification of compliance would require testing of the tactile on your surface.