



### UV Stable Polyurethane Tactile Concentric circle classic Top - BLACK

#### PRODUCT DESCRIPTION

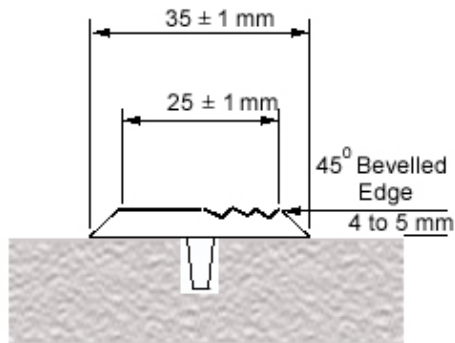
Tactile Ground Surface warning Indicator. These studded polymer tactiles come in a range of colours to enhance luminance qualities on different surfaces. They are made from a hard wearing UV resistant polyurethane material with a grooved tapered pin for improved adhesion. Made in Australia.

#### Material

UV Stabilised Polyurethane

#### Colour

Black, Yellow, Red, Blue, Ivory, Silver, Terracotta



#### Slip Resistance Testing

See Australian Standards Hand Book 198: 2014 (HB 198), "An Introductory Guide to Slip Resistance of Pedestrian Materials" in order to determine a classification of a slip resistance rating. This document outlines the minimum ratings of location and situation of a pedestrian surface.

#### TEST

AS/NZS 4586:2004 Appendix A

#### TYPE

Wet Pendulum Test

#### RATING

Four S slider Mean BPN = 47 Class W

#### REPORT

CSIRO report No 3988s

#### TEST

AS/NZS 4586:2004 Appendix D

#### TYPE

OIL-WET Ramp

#### RATING

Mean overall acceptance angle = 13.1 ° Class R11

#### Luminance Testing

Compliance for Luminance contrast varies with colour tactile and the substrate onto which you wish to have them installed. Certification of compliance would require testing of the tactile on your surface.